

ExpressHeader

WINDOWS & DOORS



5-1/2" pictured above.

Simply A Better Window & Door Header!

- 3-1/2" width for 2x4 construction
- 5-1/2" width for 2x6 construction
- Available in depths of 7-1/4", 9-1/4" & 11-1/4"
- Value engineered for commercial jobs. Custom depths available (call for details).
- Full Thermal Break (Foam Core Construction)
 - 3-1/2" ExpressHeader = R7.75
 - 5-1/2" ExpressHeader = R16
- Right size every time. No cupping, twisting, or bowing. Less call backs for drywall problems.
- Stock length is 16', custom lengths available.
- Bonded with exterior structural adhesive.
- One Piece Express Installation.

3-1/2" Construction Description

- 1-1/4" LVL (Laminated Veneer Lumber)
- 1" of Expanded Polystyrene (EPS)
- 1-1/4" LVL (Laminated Veneer Lumber)

5-1/2" Construction Description

- 1-1/4" LVL (Laminated Veneer Lumber)
- 3" of Expanded Polystyrene (EPS)
- 1-1/4" LVL (Laminated Veneer Lumber)

These tables must be used in conjunction with the LP® SolidStart® LVL Technical Guide.

Uniform FLOOR Load (PLF) Tables							Uniform ROOF Load (PLF) Tables							
SPAN	2-1/2" x 7-1/4"			2-1/2" x 9-1/4"			2-1/2" x 11-1/4"		2-1/2" x 7-1/4"		2-1/2" x 9-1/4"		2-1/2" x 11-1/4"	
	L/360	TOTAL LOAD (L/240)		L/360	TOTAL LOAD (L/240)		TOTAL LOAD (L/240)		TOTAL LOAD (L/180)		TOTAL LOAD (L/180)		TOTAL LOAD (L/180)	
		FLOOR	SNOW		FLOOR	SNOW	FLOOR	SNOW	FLOOR	SNOW	FLOOR	SNOW	FLOOR	SNOW
2' 0"		2494	2494		2493	2493	2491	2491	2494	2494	2493	2493	2491	2491
2' 6"		2040	2040		2038	2038	2037	2037	2040	2040	2038	2038	2037	2037
3' 0"		1725	1725		1724	1724	1722	1722	1725	1725	1724	1724	1722	1722
3' 6"		1494	1494		1493	1493	1491	1491	1494	1494	1493	1493	1491	1491
4' 0"	1753	1875	2146		2493	2493	2491	2491	1875	2146	2493	2493	2491	2491
5' 0"	1013	1219	1393	1902	1905	2038	2037	2037	1219	1393	1905	2038	2037	2037
6' 0"	631	852	942	1216	1325	1498	1722	1722	852	972	1325	1498	1722	1722
7' 0"	418	622	622	819	968	1086	1345	1478	626	712	968	1086	1345	1478

DESIGN ASSUMPTIONS:

- Span is the clear span, clear distance between supports, and is valid for simple span headers only.
- The values in the tables are for uniform loads only. All loads must be applied to the top of the header and must be applied equally to both plies (sides).
- The minimum required bearing for spans 3'-6" and less is 1-1/2". For spans over 3'-6" the minimum required bearing is 3".
- Total Load is for normal (100%), or Snow (115%) as noted in the table, and is adjusted to account for the self-weight of the member.
- Live Load deflection criteria is as noted in the table.
- Total Load deflection criteria is as noted in the table. Long term deflection (creep) has not been considered.
- These tables assume lateral support of the header only at the supports.
- Proper bearing must be provided. Bearing length must be checked for support reactions with the table above.

ADDITIONAL NOTES:

- The allowable loads represent the capacity of the member in pounds per lineal foot (plf) of length.
- The designer shall check both the appropriate Total Load and the appropriate Live Load columns.
- Where the Live Load is blank, the Total Load governs the design.
- The allowable loads in the table are for a single header, either a single piece of LVL or a composite header that follows all applicable codes and standards for Structurally Insulated Panels (SIP).
- For composite headers the LP-LVL shall all be of the same size and grade.
- Floor Live Load L/360 or better.
- Roof Live Load L/240 or better.

ICC-ES Evaluation Reports

- ESR-2902 Foam
- ESR-2403 LVL & LSL

Reaction Capacity (lbs)

WIDTH	BEARING LENGTH	
	1-1/2"	3"
2-1/2"	2812	5625

NOTES:

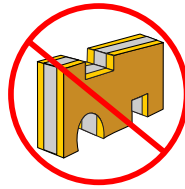
- The maximum Reactions are based on the compression strength, perpendicular-to-grain, of the LVL. This is suitable for beams bearing on steel or the end-grain of studs.
- Verify that the support for the beam is structurally adequate to carry the reaction. The compressive strength parallel-to-grain, of studs may require more studs than the bearing length above indicates.
- For beams bearing on wood plates, the required bearing length will increase based on the bearing strength (compression perpendicular-to-grain) of the species and grade used for the plate material.
- Verify local code requirements concerning minimum bearing.

LVL manufactured by:



www.lpcorp.com

EXPRESSHEADER— Installation Details

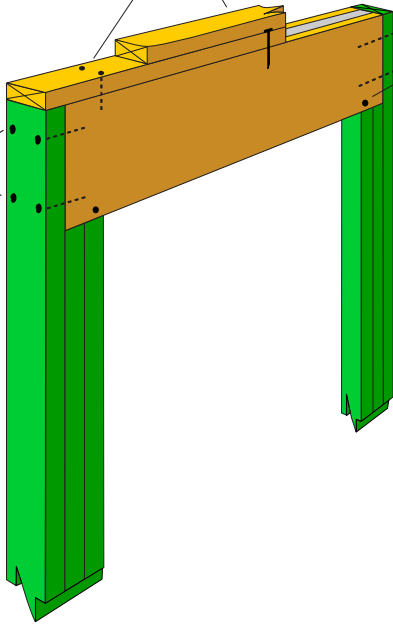


Never cut, drill,
or notch the
ExpressHeader.

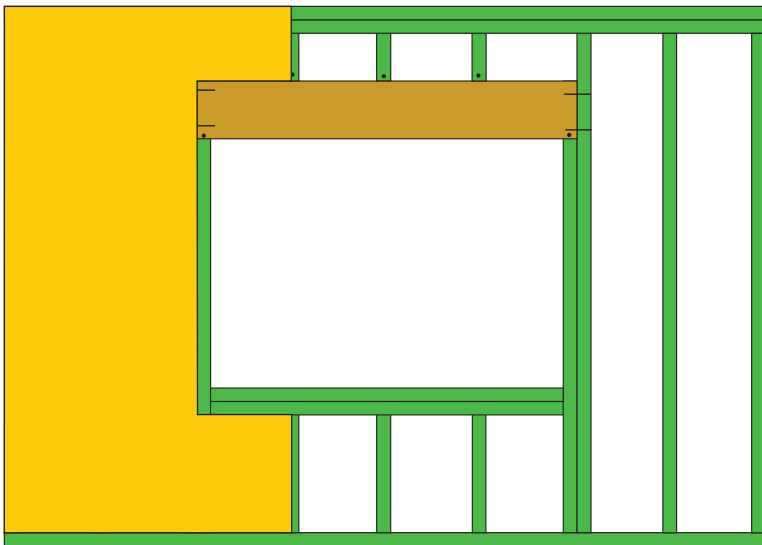
Use 10d nails
for lateral support
24" on center.

Nail (1) 10d nail
into the top &
bottom of each
piece of LVL.

Nail (1) 10d nail into
the trimmers on both
sides.

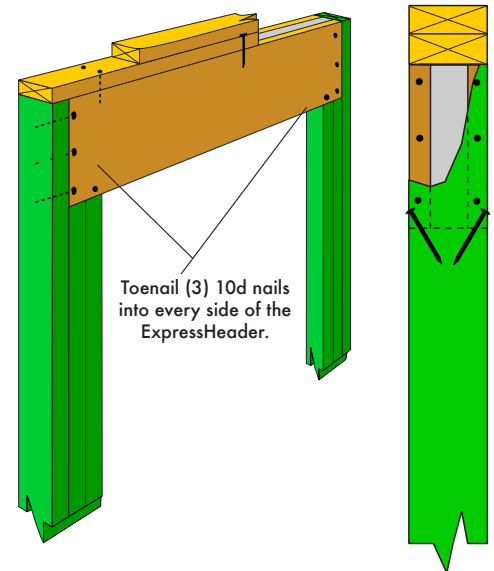


3-1/2" pictured above.



Nail for lateral support at bearing as indicated. Use 10d nails.

Toenailing Option



Toenail (3) 10d nails
into every side of the
ExpressHeader.



6778 S St Rd 13, Warsaw, IN 46580

Phone: (260) 578-0192

Fax: (260) 839-5873

E-mail: info@sjscomponents.com

SJSComponents.com

ExpressHeader.com

Call For A Distributor Near You.