

Simply A Better Window & Door Header!

- 3-1/2" width for 2x4 construction.
- 5-1/2" width for 2x6 construction.
- Available in all depth sizes: 11-1/4", 9", 7-1/4", 5-1/2".
- Value engineered for commercial jobs. Custom depths available (call for details).
- Full thermal break (foam core construction)
 - 3-1/2" EH Lite = R8.4
 - 5-1/2" EH Lite = R17.0
- Right size every time. Header is always straight, no cupping or twisting. Less call backs for drywall problems.
- Stock length is 16', custom lengths available.

- Coated with LVL sealer.
- Bonded with exterior structural adhesive.
- One piece express installation. No assembly needed.

3-1/2" Construction Description

- 1-1/2" LSL
- 1-1/2" Expanded Polystyrene (EPS)
- 7/16 OSB

5-1/2" Construction Description

- 1-1/2" LSL
- 3-1/2" Expanded Polystyrene (EPS)
- 7/16 OSB



EH LITE
WINDOWS & DOORS

5-1/2" pictured above.
LSL side should be installed facing out.

These tables must be used in conjunction with the LP® SolidStart® LSL Beam & Header Technical Guide.

Uniform Load (PLF) Allowable (1.5" Bearing Length Required at Each End)

SPAN	Header Depth					
	5-1/2"		7-1/4"		9"	11-1/4"
	LL L/360	TOTAL LOAD	LL L/360	TOTAL LOAD	TOTAL LOAD	TOTAL LOAD
3'		1257		1256	1255	1253
3' 6"	882	1083		1083	1081	1080
4'	621	829		951	950	949
5'	338	505	715	765	764	763

Uniform Load (PLF) Allowable (3" Bearing Length Required at Each End)

SPAN	Header Depth							
	5-1/2"		7-1/4"		9"	11-1/4"		
	LL L/360	TOTAL LOAD	LL L/360	TOTAL LOAD	LL L/360	TOTAL LOAD	LL L/360	TOTAL LOAD
3'	1302	1475		2419		2418		2417
3' 6"	882	1083	1750	1810		2095		2094
4'	621	829	1266	1385		1848		1847
5'	338	505	715	885	1244	1323		1494
6'	203	302	438	613	781	918		1253
7'	131	193	286	426	519	673	934	1020

ICC-ES Evaluation Reports

- ESR-2902 Foam
- ESR-2403 LVL & LSL

Reaction Capacity (lbs)

WIDTH	BEARING LENGTH	
	1-1/2"	3"
1-1/2"	1968	3937

DESIGN ASSUMPTIONS:

1. Span is the center-to-center distance of the supports and is valid for simple span headers only.
2. The allowable loads represent the capacity of the member in pounds per lineal foot (plf) of length. The values in the tables are for uniform loads that are applied to the top of the LSL only.
3. Total Load is for normal (100% LDF) duration and is adjusted to account for the self-weight of the member.
4. Live Load (LL) deflection is limited to L/360. Total deflection is limited to L/240. Long term deflection (creep) has not been considered.
5. These tables assume full lateral support of the compression edge. Full support is considered to be a maximum unbraced length of 24".
6. Where the Live Load (LL) is blank, the Total Load governs the design.

NOTES:

1. The maximum Reactions are based on the compression strength, perpendicular-to-grain, of the LSL. This is suitable for beams bearing on steel or the end-grain of studs.
2. Verify that the support for the beam is structurally adequate to carry the reaction. The compressive strength parallel-to-grain, of studs may require more studs than the bearing length above indicates.
3. For beams bearing on wood plates, the required bearing length will increase based on the bearing strength (compression perpendicular-to-grain) of the species and grade used for the plate material.
4. Verify local code requirements concerning minimum bearing.



LSL manufactured by:



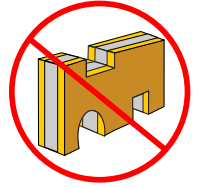
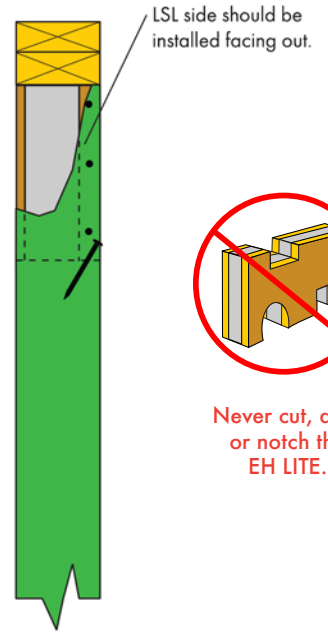
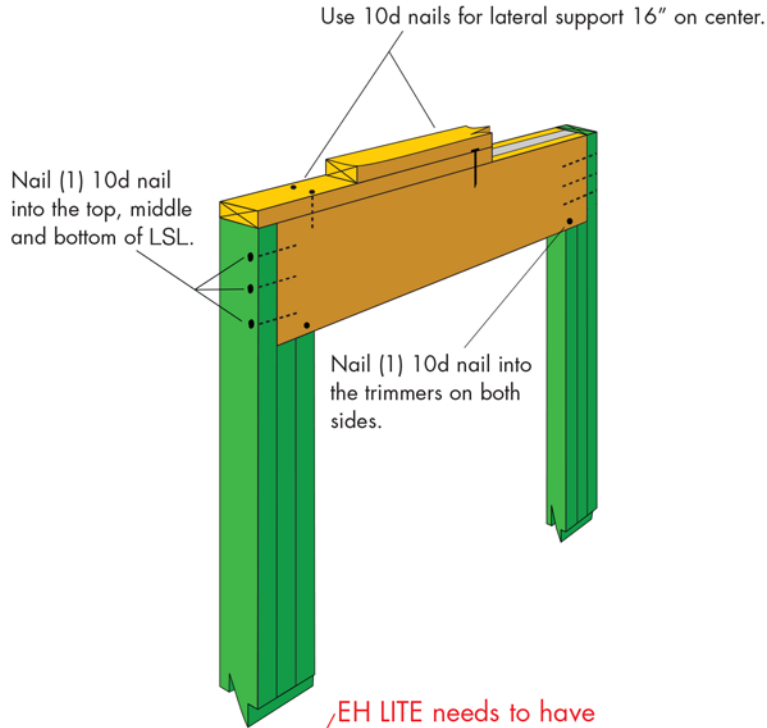
www.lpcorp.com

EH LITE – Installation Details



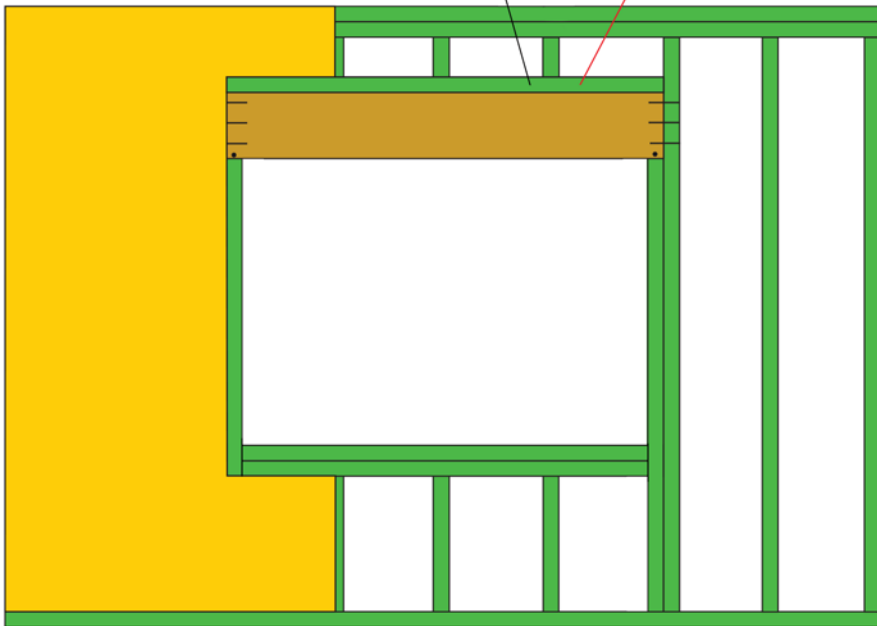
EH LITE
WINDOWS & DOORS

3-1/2" pictured above.



Never cut, drill, or notch the EH LITE.

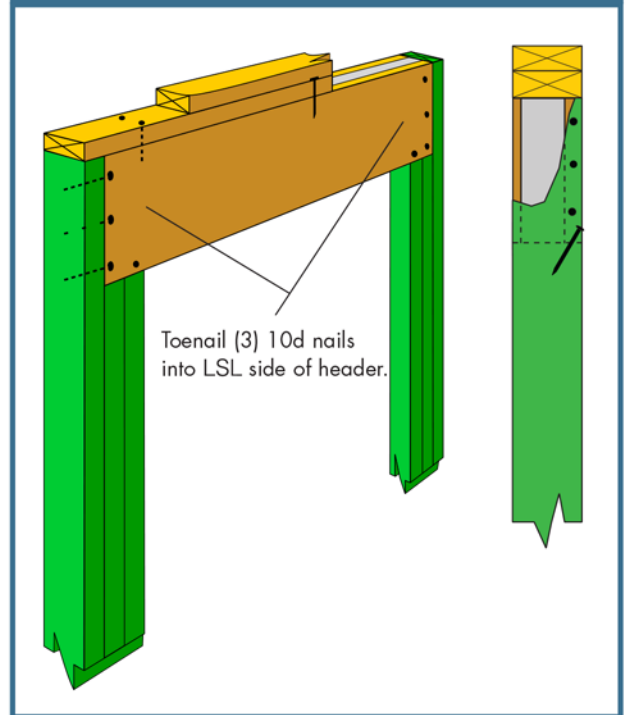
Lateral support required along top edge of each ply. Use 10d nails 16" on center maximum.



Nail for lateral support at bearing as indicated. Use 10d nails.

EH LITE needs to have 2-x nailed to top to control rotation.

Toenailing Option



6778 S St Rd 13, Warsaw, IN 46580
Phone: (260) 578-0192
Fax: (260) 839-5873
E-mail: info@sjscomponents.com

SJSComponents.com
ExpressHeader.com

Call For A Distributor Near You.